

|                |                        |
|----------------|------------------------|
| <b>SURFACE</b> | <b>Lever activated</b> |
|----------------|------------------------|



**DJP0034**  
White finish



**DJP0034B**  
Black finish



**DJP0034C**  
Bright finish



**DJP0034CS**  
Satin finish

### General Description

- Liquid soap dispenser of 1.5 L capacity, manufactured in stainless steel AISI 304, 0,8 mm thick, to be installed directly on the wall and lever-operated by means of an stainless steel lever.
- Available in four finishes (white, black, bright and satin) these soap dispenser models have a functional, robust and trendy design that matches the new range of Mediclinics bathroom accessories. This allows this soap dispenser to blend into any space perfectly.
- Suitable for high traffic facilities and for public use.
- Dispenses liquid soaps or hydro-alcoholic gel. Surgical soaps and soaps with solid abrasive particles are not supported.

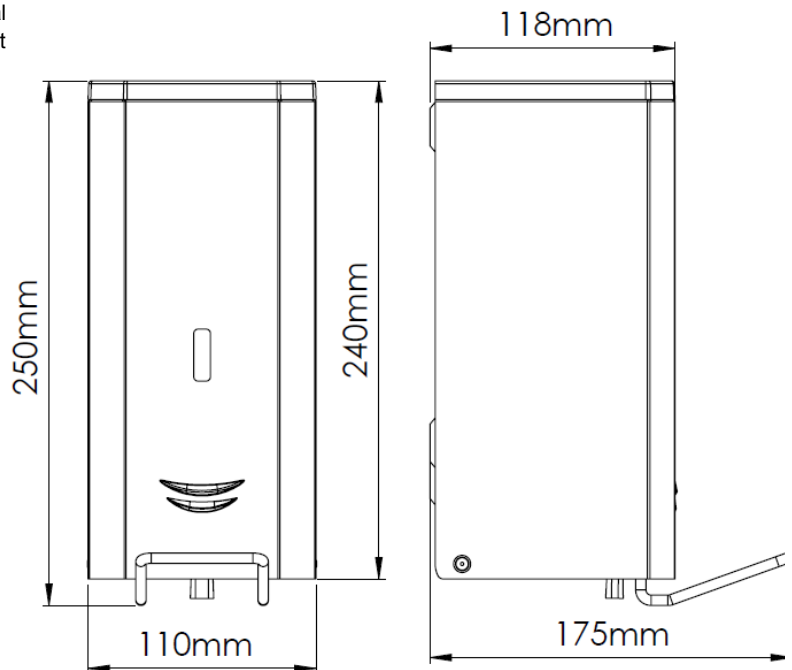
### Components & materials

- **DJP0034:** Stainless steel AISI 304, white epoxy finish.
- **DJP0034C:** Stainless steel AISI 304, bright finish.
- **DJP0034CS:** Stainless steel AISI 304, satin finish.
- **DJP0034B:** Stainless steel AISI 304, black epoxy finish.
- Level display in the front part that constantly indicates the level of soap available inside the soap dispenser.
- Inner plastic tank that prevents oxidation and that can be easily removed for cleaning and disinfection purposes.
- Lever made in stainless steel.
- Anti-drip corrosion resistant valve that dispenses 1.5 ml of soap per service. This anti-drip valve, which dispenses liquid soap, is easily interchangeable with the valves of the other soap dispensers of the same line.
- Hinged cover for operator convenience and speed of service.
- Opening on top with provided Mediclinics key that allows soap refill.
- It is mounted on the wall by means of four Ø4 stainless steel screws (provided) with their corresponding Ø 6mm plastic plugs (also provided).
- It is recommended to use liquid soaps or disinfectant gel soaps (maximum of alcohol content of 85 %) with a density between 0.9 and 1.35 kg/dm<sup>3</sup> and a maximum viscosity of 3,000 cps.

### Technical Specifications

|   |                    |
|---|--------------------|
| <b>Dimensions</b>                             | 250 x 110 x 175 mm |
| <b>Capacity</b>                               | 1,500 ml           |
| <b>Body, cover &amp; base plate thickness</b> | 0.8 mm             |
| <b>Inner Tank Thickness</b>                   | 2.5 mm             |
| <b>Net weight</b>                             | 1.25 Kg            |
| <b>Quantity dispensed per pump</b>            | 1.5 ml             |

### Dimensions



Dimensions ± 4%

---

## OPERATION

---

Place one hand just under the soap dispenser valve and press the lever until the end of the soap dosage.

---

## MOUNTING TEMPLATE

---

10-15 cm from shelf.

---

---

Mediclinics, S.A., reserves the right to make changes and/or modifications to the products and their specifications without prior notice.  
Revision 05-16 © mediclinics.

